

SERIES 6900 IMPERIAL PATIO DOORS



This inside slide door combines a slim design with a heavy-duty aluminum extrusion, resulting in a strong, rigid patio door that meets minimum-security requirements. The 6900 SERIES also features a NightLock, which enables the door to maintain a secure, locked position while allowing 2" of ventilation. Choose between single and dual glazed configurations as well as a variety of patterns. Available in nail-on frame and retrofit configurations.



STANDARD HANDLE

SERIES 6800 ECONOMY PATIO DOORS



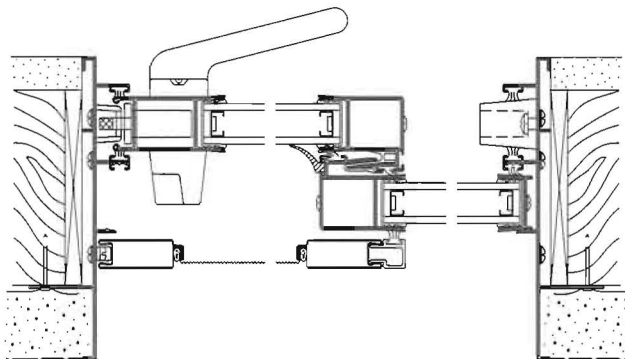
The 6800 SERIES is an affordable product for the budget-conscious. The Economy Patio Door meets minimum industry requirements and bypasses all the bells and whistles.



STANDARD HANDLE

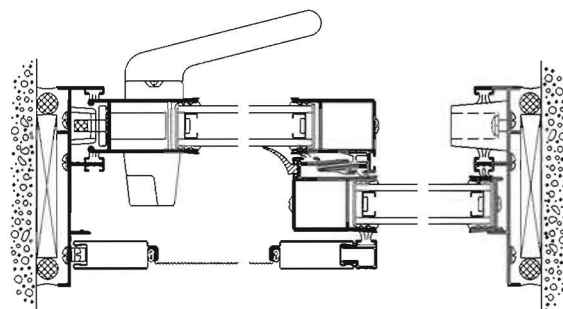
DOOR SERIES	GLASS THICKNESS	FRAME WIDTH	FRAME TYPE
6920/6820	3/4" DUAL GLAZED,	5 5/8" FRAME,	1 3/8" FIN OFF
6970/6870	3/4" DUAL GLAZED,	3 3/4" FRAME,	1 3/8" FIN OFF
6980/6880	3/4" DUAL GLAZED,	3 3/4" FRAME,	BLOCK FRAME

HORIZONTAL SECTION - 6820 SERIES



SHOWING 5 5/8" FRAME
DUAL GLAZED

HORIZONTAL SECTION - 6880 SERIES



SHOWING 3 3/4" FRAME
DUAL GLAZED